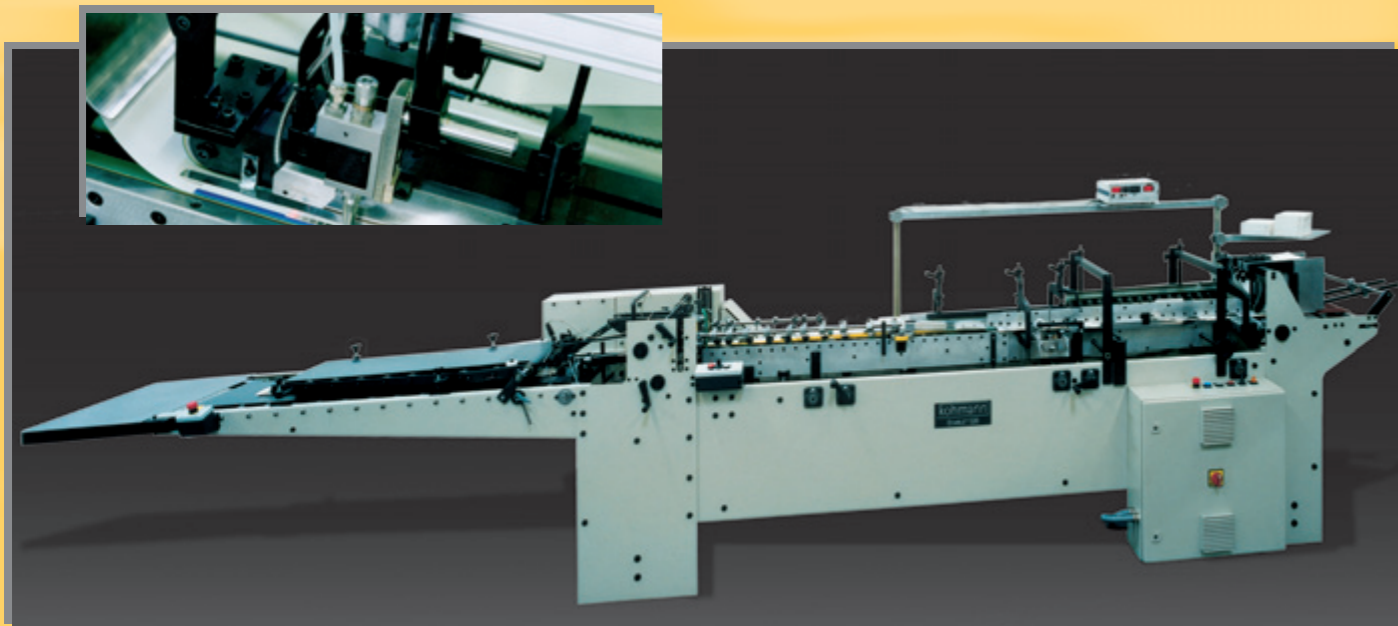


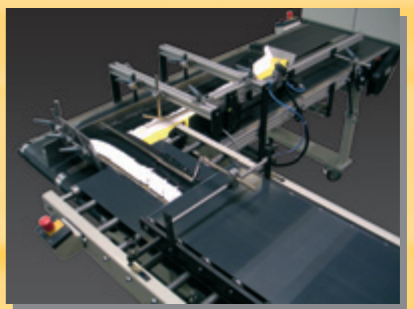


▶ **Starlet 520**  
Folder-Gluer

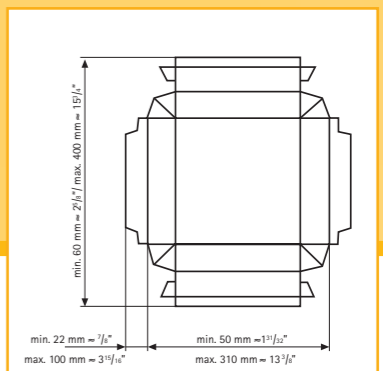
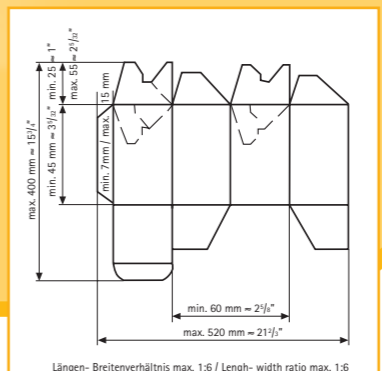
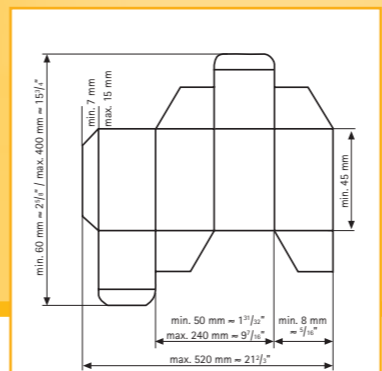
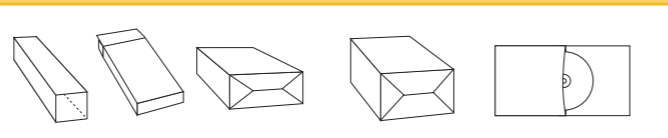
▶ **Unfolding Opportunities**



Combi section for special folds



90° delivery System



► **Starlet 520**  
Folder-Gluer

- Ideal for processing straight line boxes, crash lock bottom boxes, double wall boxes and CD/DVD sleeves
- Low space requirements
- Durable design
- Maintenance-free drive
- Easy format changes
- High production output
- Low maintenance costs
- Designed for multi-shift operation

► **Standard Equipment for Model Starlet 520:**

- Feeder with vibrating device
- Infinitely adjustable distance between carton blanks
- Pre-breaking crease 1+3
- Bottom disc glue unit
- Electronic counter with digital display, including preset counter
- Delivery with kick-out device
- Drying and press section synchronised with machine speed, can be controlled separately
- Belt speed 150 m/min

► **Special Equipment for Model Starlet 520:**

- Crash lock bottom device
- Upper nozzle gluing unit
- Bottom nozzle gluing unit
- Stripping unit for varnished cartons
- Combi section for special folds
- Attachment for CD-DVD packagings, Digifile products (Media Star)
- Special equipment for mini folding boxes
- Code reader, glue line detector
- Various delivery systems
- Extension to a widths of 620 mm possible

Unusual blank formats and special board qualities will be checked by us. Please avoid numerous extreme dimensions in one cardboard blank.

► **Technical Data:**

Output	150 m/min. or 429 ft/min.
Driving power	3 kW
Power supply	240 V/50 or 60 Hz
Box types	Straight line, Crash lock bottom, Double wall, CD/DVD-sleeves
Space requirements	approx. 5500 x 1200 mm/216" x 47"
Weight	approx. 1000 kg/2200 lb.

Änderungen vorbehalten/Subject to change

► [www.kohmann.de](http://www.kohmann.de)



## ► Our Product Range:

- Window patching machines for carton blanks
- Film sealing machines for Gable Top Cartons
- Folding box gluing machines
- Automatic stacking systems for
  - window patcher
  - narrow web flexo printing machines
- Compact discs sleeve machines
- CD/DVD tray placing machine
- Machines for special applications

## Kohmann GmbH & Co. KG Maschinenbau



► P.O. Box 10 06 55  
40806 Mettmann  
Germany

Benninghofer Weg 7  
40822 Mettmann  
Germany

T +49-21 04-9146 0  
F +49-21 04-9146 50  
sales@kohmann.de  
www.kohmann.de